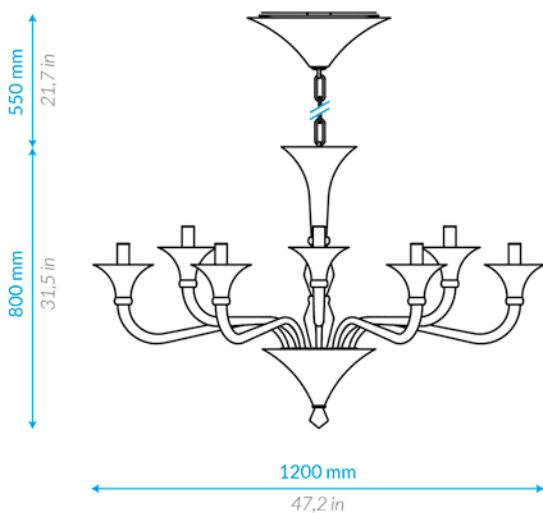
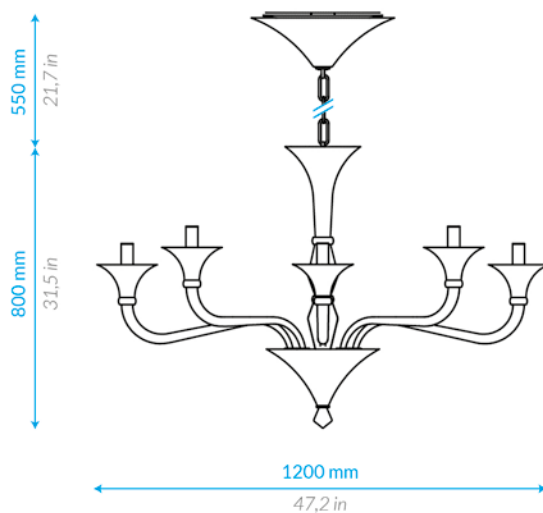


CELESTIA



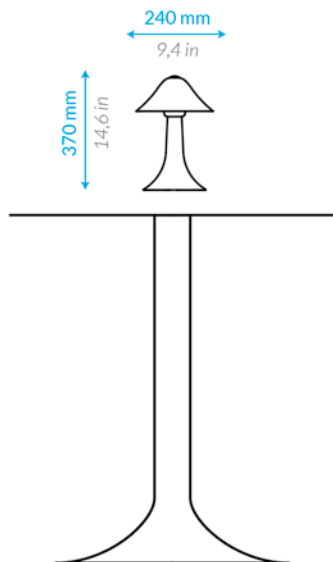
Lampadario 12 Bracci
12 Arms Chandelier

Item: **TF 1001 CH / 12**
 Light Source: **LED 12 x 7,4 W + 3 x 1,4 W**
 Power: **93 W**
 Voltage: **220 / 240 V** (110V Vers. USA)
 Product Weight: **35 Kg / lbs 70**



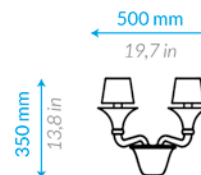
Lampadario 8 Bracci
8 Arms Chandelier

Item: **TF 1001 CH / 8**
 Light Source: **LED 8 x 7,4 W + 3 x 1,4 W**
 Power: **63,4 W**
 Voltage: **220 / 240 V** (110V Vers. USA)
 Product Weight: **28 Kg / lbs 56**



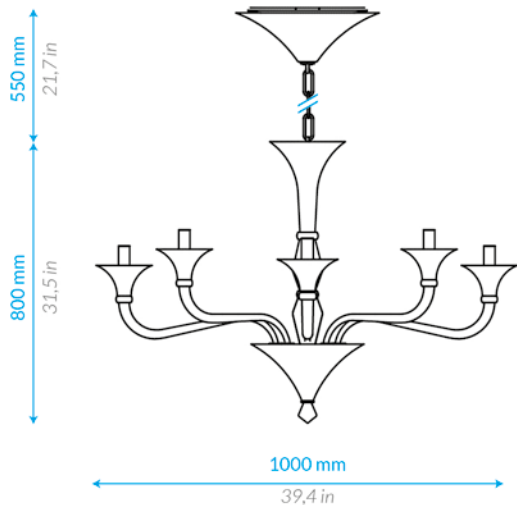
Lampada da Tavolo
Table Lamp

Item: **TF 1001 TL / 1**
 Light Source: **E14 socket bulb**
 Power: **max 46 W (HSG)**
 Voltage: **220 / 240 V** (110V Vers. USA)
 Product Weight: **2 Kg / lbs 4**



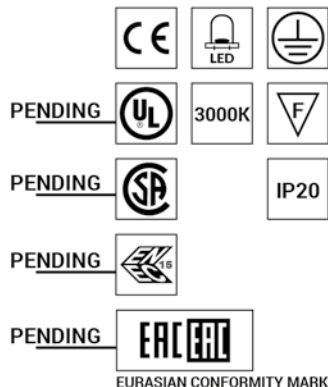
Applique 2 Bracci
8 Lights Wall Lamp

Item: **TF 1001 WS / 2**
 Light Source: **LED 2 x 7,4 W**
 Power: **14,8 W**
 Voltage: **220 / 240 V** (110V Vers. USA)
 Product Weight: **10 Kg / lbs 10**



Lampadario 6 Bracci 6 Arms Chandelier

Item: **TF 1001 CH / 6**
 Light Source: **LED 6 x 7,4 W + 3 x 1,4 W**
 Power: **48,6 W**
 Voltage: **220 / 240 V** (110V Vers. USA)
 Product Weight: **23 Kg / lbs 46**



Disponibile in / Available in:

Colore Vetri / Glass Color

Trasparenti / Clear

| | | | | | |
|----|---|--|----|----|-----------------------------------|
| CR | 1 | Cristallo Crystal | MA | 7 | Ametista Medio Medium Amethyst |
| MT | 2 | Topazio Medio Medium Topaz | DG | 8 | Grigio Grey |
| GG | 3 | Verde Erba Medio Medium Grass Green | CB | 9 | Blu Cobalto Cobalt Blue |
| MG | 4 | Verde Marino Chiaro Medium Marine Green | BL | 10 | Nero Black |
| DE | 5 | Verde Smeraldo Scuro Dark Emerald Green | MR | 11 | Rosso Medio Medium Red |
| DS | 6 | Acquamarina Scura Dark Sea Water | | | |

Non Trasparenti / Solid

| | | | | | |
|----|----|----------------------------------|----|----|------------------------------------|
| WM | 12 | Bianco White Milk | LG | 18 | Grigio Chiaro Light Grey |
| LG | 13 | Verde Pisello Light Green | IV | 19 | Avorio Ivory |
| NG | 14 | Verde Nilo Nile Green | PG | 20 | Grigio Perla Pearl Grey |
| BP | 15 | Pervinca Periwinkle | PP | 21 | Viola Purple |
| CS | 16 | Celeste Chiaro Clear Sky | PR | 22 | Rosso Porpora Chiaro Purple Red |
| DT | 17 | Turchese Scuro Dark Turquoise | DB | 23 | Marrone Scuro Dark Brown |

Speciali / Special

| | | | | | |
|---------|----|---|-------|----|--|
| LT GREY | 29 | Grigio Fumè Chiaro Smokey Light Grey | ST | 35 | Acciaio Trasp. Transp. Steel |
| DK GREY | 30 | Grigio Fumè Scuro Smokey Dark Grey | COR | 36 | Corniola Trasp. Transp. Carnelian |
| YEL | 31 | Giallo Limone Lemonish Yellow | AQUA | 37 | Acquamarina Trasp. Transp. Sea Water |
| VIOL | 32 | Violetto Violet | MC | 38 | Cristallo Specchiato Mirrored Crystal |
| GREY | 33 | Grigio Medio Medium Grey | GREEN | 39 | Verde Green |
| AM | 34 | Ametista Trasp. Transp. Amethyst | | | |

Finiture / Finishing

| | | | |
|---|--------------------------------------|---|---|
| A | Oro Lucido Glossy Gold Plated | G | Nero Opaco Matt Black RAL 9005 |
| B | Cromo Lucido Glossy Chrome Plated | I | Bianco Opaco+Gomma Soft Matt White+Soft Rubber |
| C | Grigio Opaco Matt Grey RAL 7030 | L | Ottone Brunito Burnished Brass |
| D | Beige Opaco Matt Beige RAL 1019 | M | Acciaio Brunito Burnished Steel |
| E | Marrone Opaco Matt Brown RAL 8028 | N | Bianco Verniciato White Painted |
| F | Bianco Opaco Matt White RAL 9003 | O | Verniciatura Bronzo Bronze Painted |

Lavorazioni / Techniques

| | | | |
|-----|----------|------|---------|
| PUL | PULEGOSO | RIG | RIGADIN |
| BAL | BALLOTON | SPIR | SPIRALE |